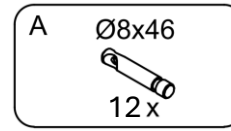
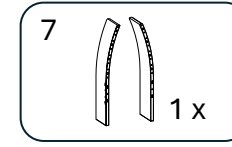
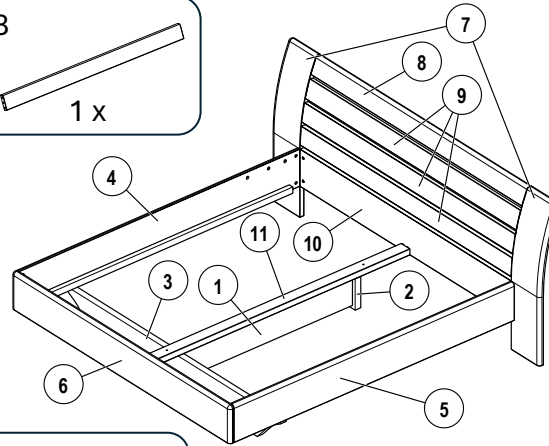
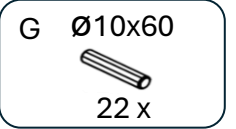
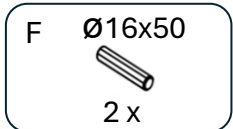
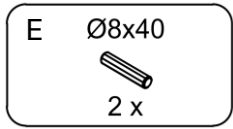
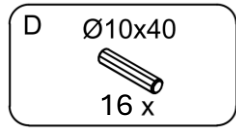
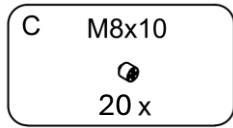
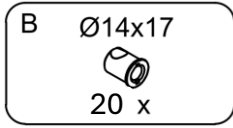
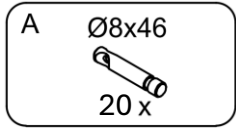
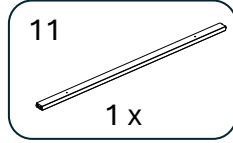
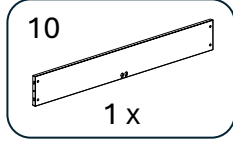
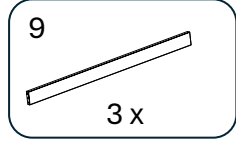
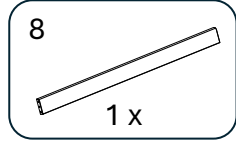
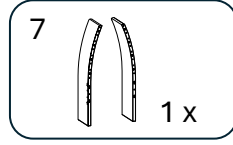
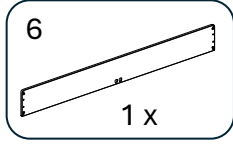
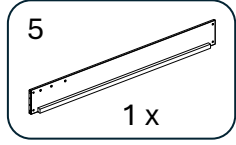
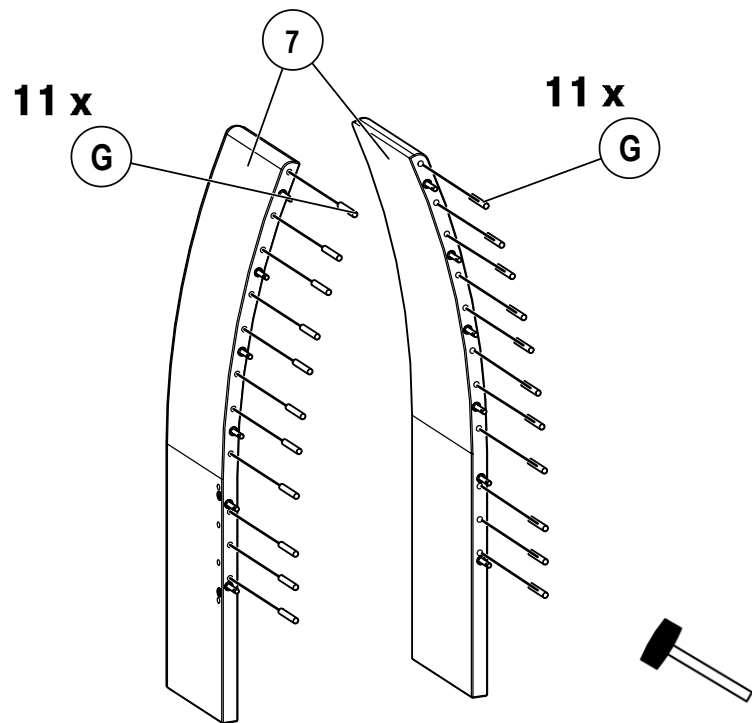
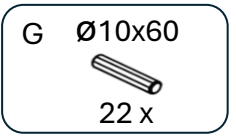
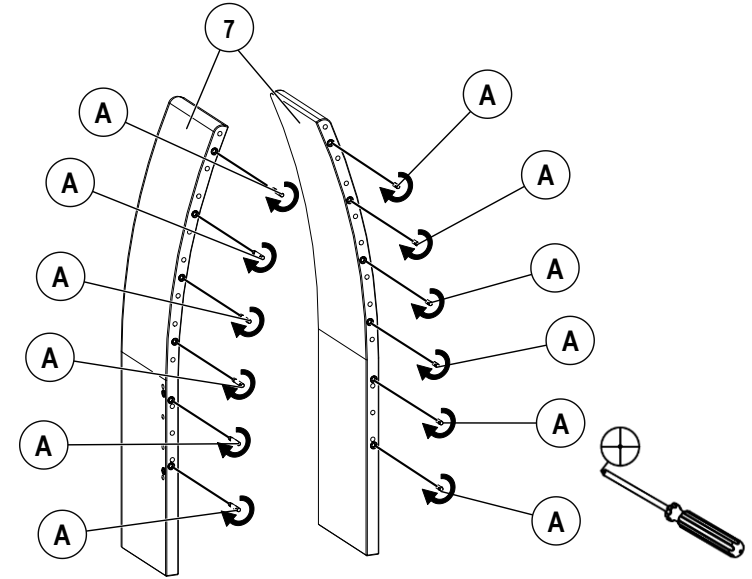


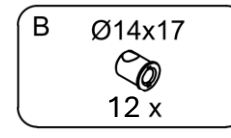
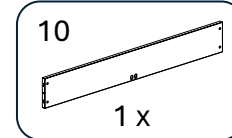
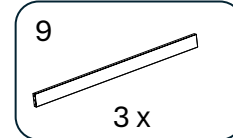
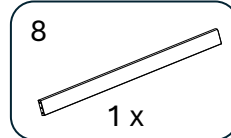
40 min



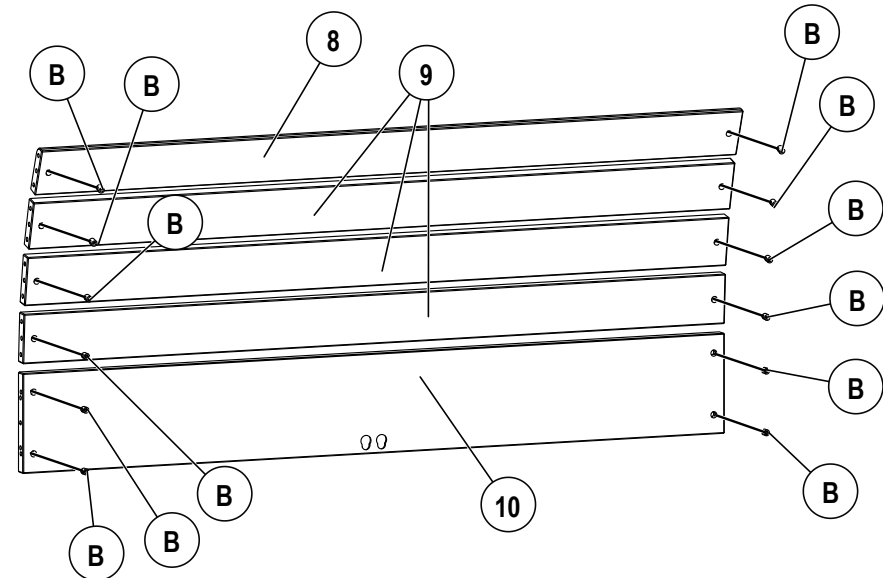
1



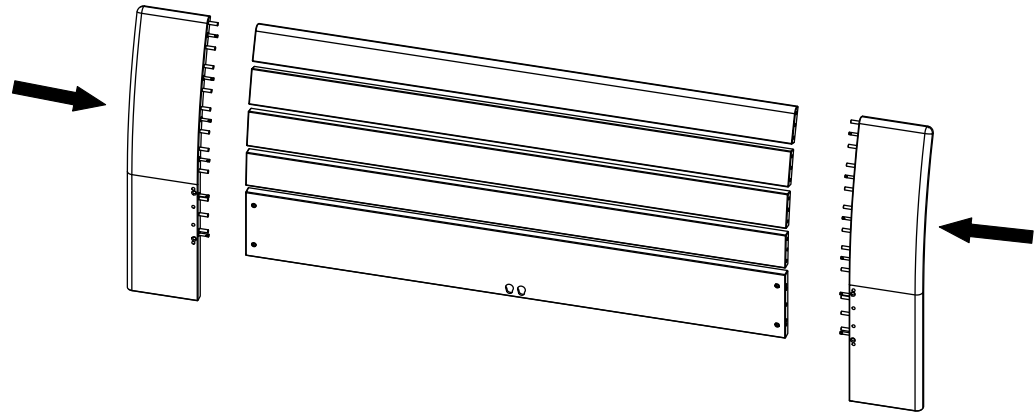
2



3

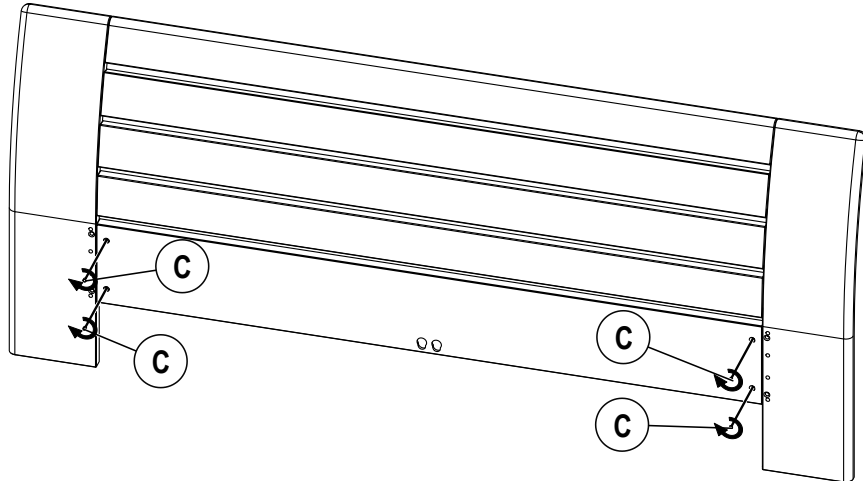


4



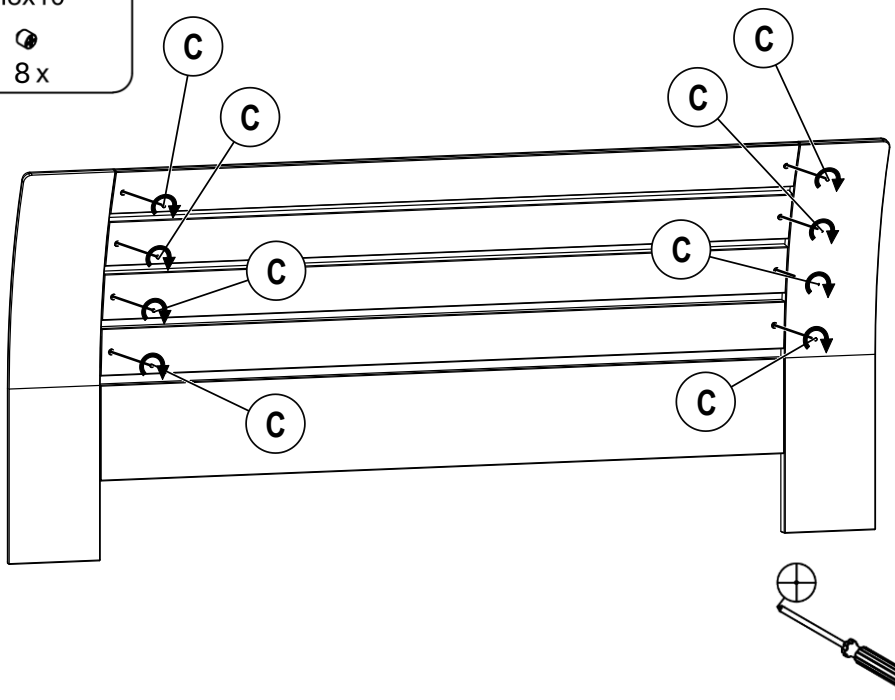
C M8x10
 ●
 4x

5



6

C M8x10
 ●
 8x



7

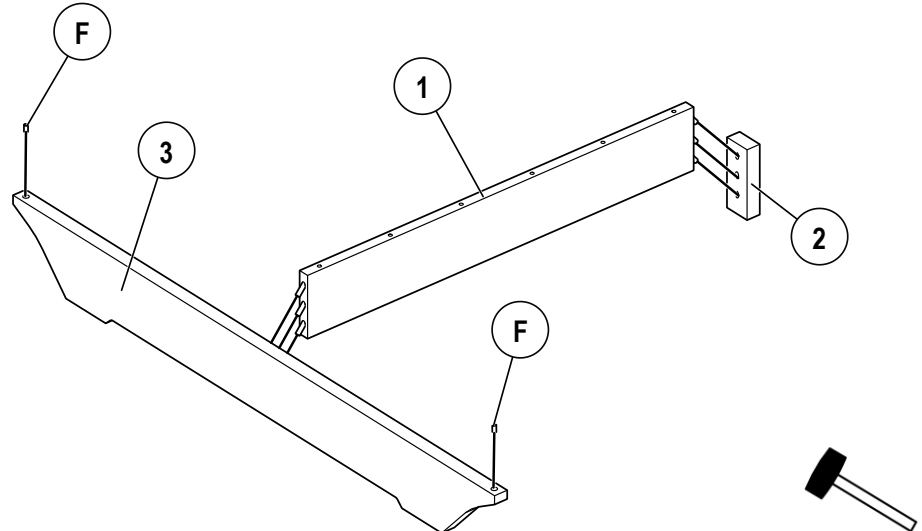
- 1

 1x
- 2

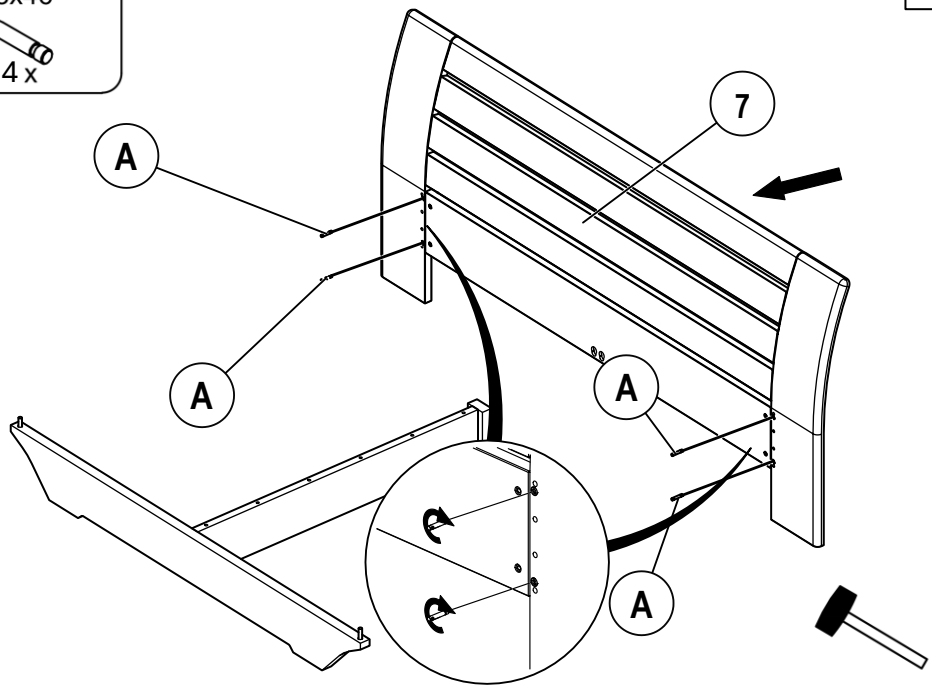
 1x
- 3

 1x
- F Ø16x50

 2x



A Ø8x46
4 x



8

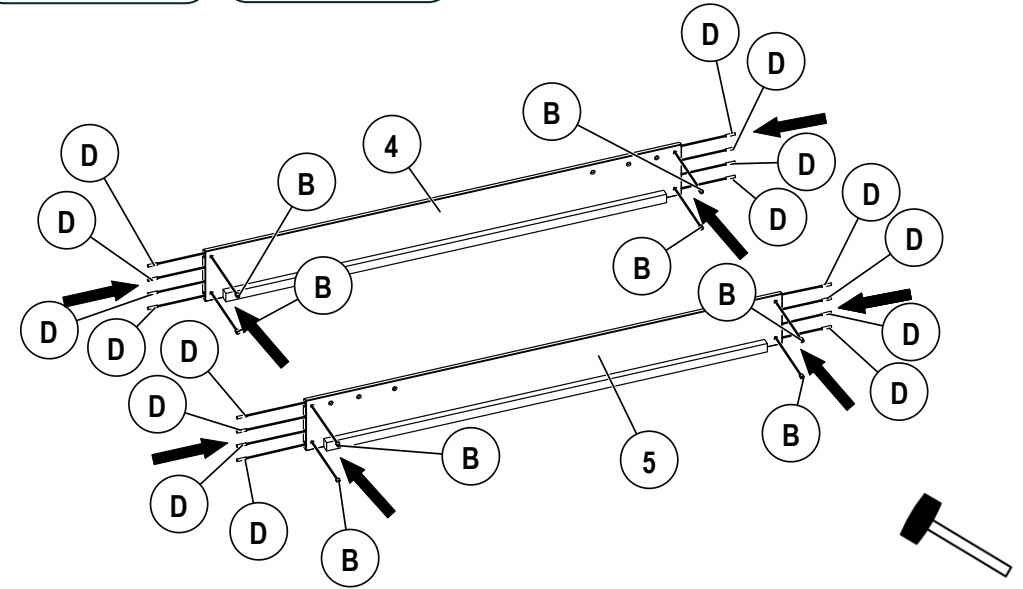
4 1 x

5 1 x

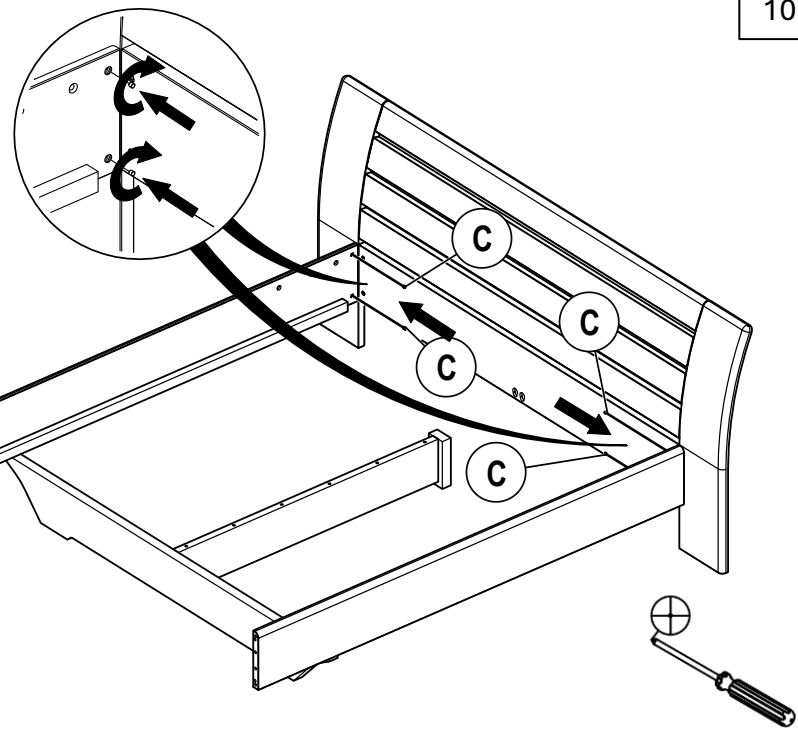
B Ø14x17
8 x

D Ø10x40
16 x

9



C M8x10
4 x



10

6 1 x

A Ø8x46
4 x

11

